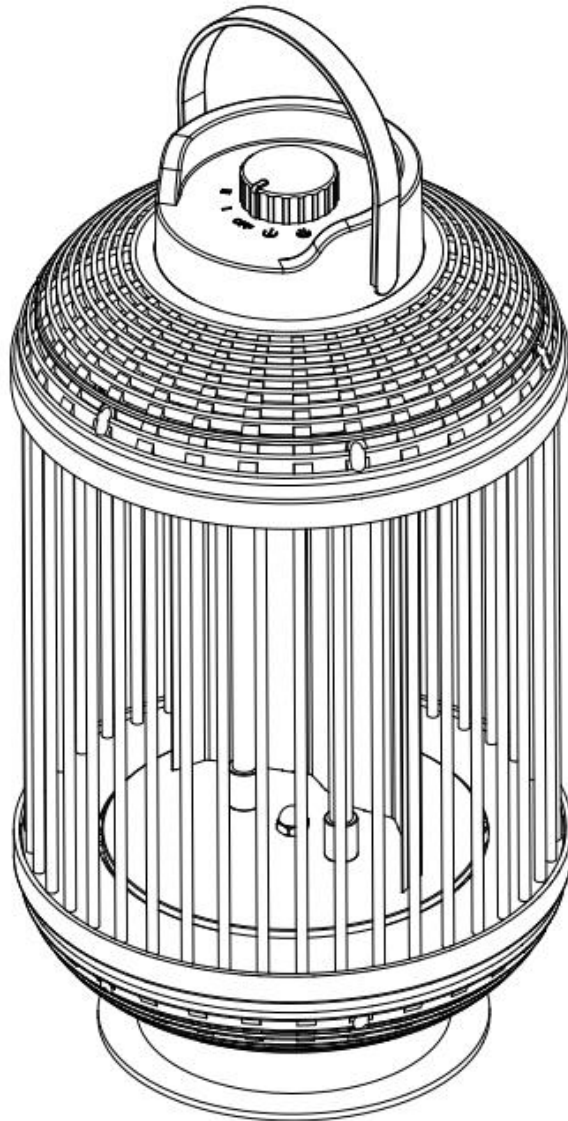


# Radiant heater WDH-12HL



Dear customer,

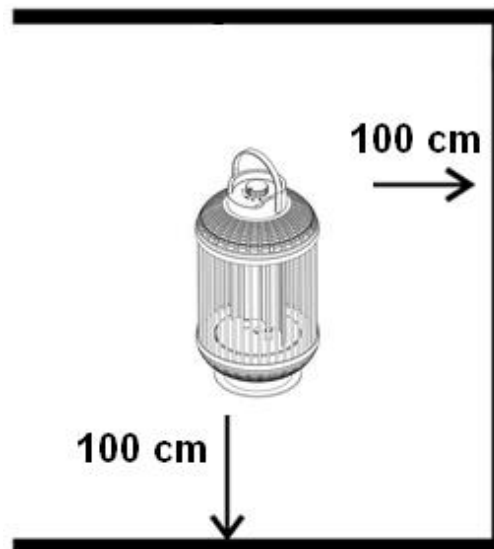
You have chosen a high-quality product. Here are a few tips to help you enjoy this product:

**In case of any problems:**

We hope that the appliance meets your expectations! Should there be any cause for complaint despite the greatest possible care, please contact us briefly, as we are very concerned about your satisfaction and would like to clear up any misunderstanding.

## **Important safety instructions:**

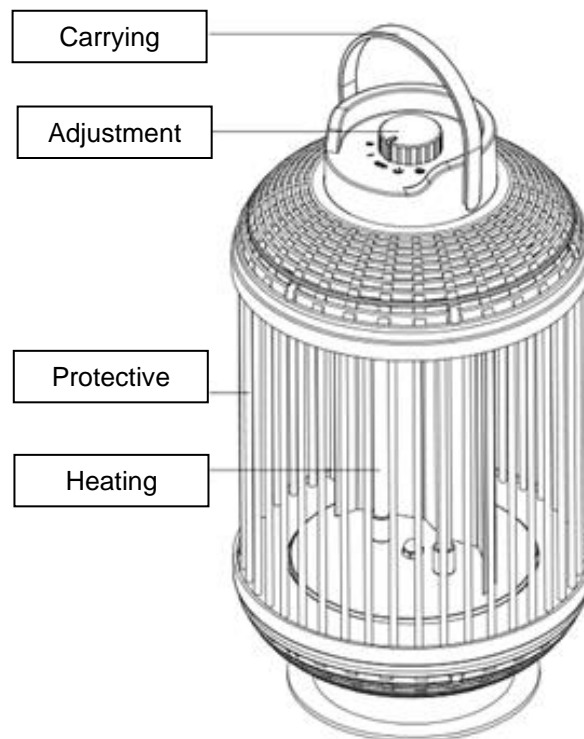
- Please note that the radiant heater can become very hot during operation, so keep a sufficient distance at all times. Especially from flammable or highly flammable objects!
- Do not place/mount the radiant heater directly next to a power socket!
- Never use the radiant heater on moving surfaces, objects or vehicles! There is a risk of the radiant heater tipping over.
- It is recommended that you use your own power source (socket) to supply the radiant heater. (Please do not use multiple sockets to operate the radiant heater).  
Please also ensure that the power cable is always laid at a sufficient distance from the heat source.
- Supervise the radiant heater when children are in the vicinity of the appliance!
- Special care must be taken when children and vulnerable persons are present.
- Pay attention to the electricity, never go into the appliance with objects or insert them!
- Do not place any objects on or directly in front of the radiant heater!
- Do not use the heater if it has been dropped!
- Do not use the device if it shows visible signs of damage!
- Please ensure that there is sufficient space/clearance around the appliance!
- Only qualified personnel or electricians are permitted to open the appliance!
- Make sure that no moisture gets into the appliance!
- The radiant heater must not be used in the immediate vicinity of bathtubs, washbasins or swimming pools!
- Only use the recommended voltage for operating the appliance!
- Make sure that the power cable is unfolded (untied) before you connect it to the socket!
- Make sure that the plug is clean and properly connected to the socket before using the appliance!
- Never touch the plug or socket with wet hands!
- Do not repair defective or damaged cables on the appliance yourself, you could get a serious electric shock!
- Ensure that flammable substances (e.g. gases/oils etc.) are never in the vicinity of the appliance!
- Ensure that the area on and around the appliance remains free of dust, cobwebs and similar dirt at all times to prevent accidental ignition (fire)!
- **WARNING:** Do not use this heater in small rooms if they are occupied by people who are unable to leave the room independently, unless they are constantly supervised.
- If the connecting cable of this appliance is damaged, it must be replaced by the manufacturer or its customer service or a similarly qualified person in order to avoid hazards.
- Children aged 3 and under 8 years may only switch the appliance on and off if it has been set up or installed in the intended normal operating position and they have been supervised or instructed in the safe use of the appliance and understand the dangers involved. Children aged 3 to under 8 years must not plug in, adjust, clean or carry out maintenance on the appliance.
- This appliance can be used by children aged from 8 years and above and persons with reduced physical, sensory or mental capabilities or lack of experience and knowledge if they have been given supervision or instruction concerning use of the appliance in a safe way and understand the hazards involved.
- Children should not play with the appliance and should be made aware of this.
- Children under the age of 3 should be kept away from the appliance if they are not supervised at all times.
- Cleaning and maintenance by the user must not be carried out by children without supervision.
- If you are not going to use the appliance for a longer period of time, switch it off and unplug it from the mains!
- Please always keep a sufficient distance from walls and objects such as curtains. Depending on the material, we recommend keeping a minimum distance of at least 1.0 meter!



Please switch off the appliance immediately and disconnect it from the mains/power supply if something seems to be wrong! In this case, please contact a specialist and do not attempt to repair the appliance yourself!

**Example:** House fuse has blown when the radiant heater is in operation.

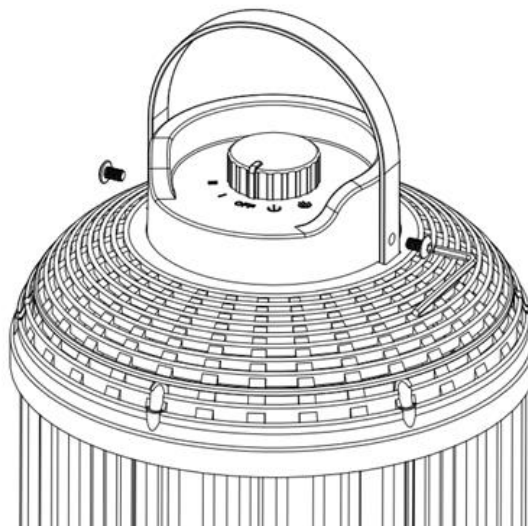
## Description of the device parts:



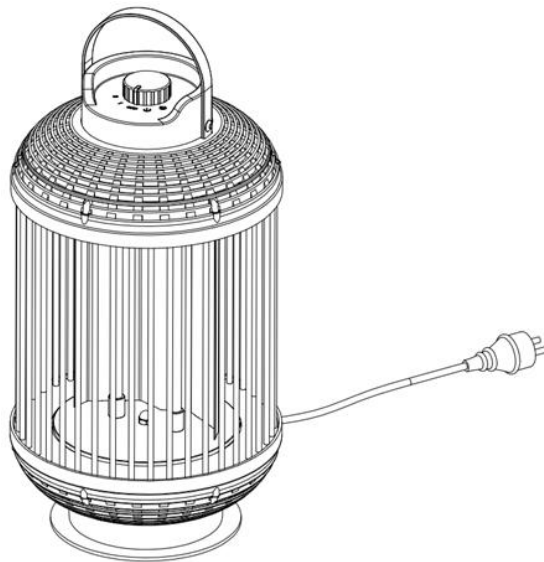
## Assembly instructions:

### 1. Fastening the carrying handle

- 1.1. Take the two supplied screws (M6, 12mm) and use them to screw the carrying handle to the appliance. See the following picture:







1.2. No further installation is necessary. Your radiant heater is now fully operational.



## **Instructions for use:**

### **2. Commissioning**

- 2.1. Insert the mains plug properly into the socket.
- 2.2. The setting knob is located at the top of the device. You can use this to switch the radiant heater on in the following settings:

- Level 1 (600 Watt heat output) 
- Level 2 (1,200 watt heat output) 
- Level 1 (600 watt heat output) incl. 180° rotation 
- Level 2 (1,200 watts heating power) incl. 180° rotation 
- Off (OFF)

### **3. Cleaning & storage**

Always disconnect the mains plug and allow the radiant heater to cool down completely before cleaning your appliance!

#### **3.1. Cleaning the housing and the parabolic reflector:**

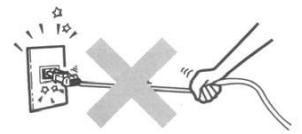
- Use a soft, damp cloth to clean the outside of the housing.
- Only use mild cleaning agents to clean your radiant heater.
- It is also important to ensure that no aggressive cleaning agents are used, as these can damage your appliance!
- Please ensure that no water gets inside your radiant heater at any time!

#### **3.2. Storage:**

- We recommend that you put the appliance back in its original box for storage.
- Store the radiant heater in a dry and sufficiently ventilated place.

## Other important operating instructions

- 4.1. Do not disconnect the mains plug by pulling on the power cable!
- 4.2. Do not use insect repellent, oil or paint spray etc. near the radiant heater. This can damage the appliance or even cause a fire!
- 4.3. Do not place the appliance on a sloping or uneven surface!
- 4.4. Ensure that the mains cable never runs in front of the radiant heater or that the mains cable is not wrapped around the heating element.
- 4.5. Do not operate the radiant heater with a timer or similar control. This can lead to damage to the appliance and even fire.
- 4.6. Although the radiant heater is protected against splashing water (IP54), do not use it in rain showers and/or other wet conditions!
- 4.7. Always keep the reflector behind the heating tube clean and dust-free. Otherwise this can lead to a loss of performance of the radiant heater!
- 4.8. When starting heating operation, dark spots may appear on the heating tube for a short time. This is normal and does not represent a malfunction or impairment of the heating performance.



## Technical data

<b>Model designation:</b>	WDH-12HL
<b>Voltage:</b>	220V - 240V / 50Hz
<b>Max. power consumption:</b>	1.200 W
<b>Dimensions (H/W/D):</b>	600 x 300 x 300 mm
<b>Watertightness:</b>	IP54
<b>Weight:</b>	5.3 kg

*There may be deviations in the technical data !*

## Other

### Guarantee declaration:

Notwithstanding the statutory warranty claims, the manufacturer grants a warranty in accordance with the laws of your country, but at least 1 year (in Germany 2 years for private individuals). The warranty begins on the date of sale of the device to the end user.

The guarantee only covers defects that are attributable to material or manufacturing faults.

Warranty repairs may only be carried out by an authorized customer service centre. The original sales receipt (with date of purchase) must be enclosed in order to assert your warranty claim.

Excluded from the guarantee are:

- Normal wear and tear
- Improper use, e.g. overloading the appliance or non-approved accessories
- Damage due to external influences, use of force or foreign objects
- Damage caused by non-compliance with the operating instructions, e.g. connection to an incorrect mains voltage or non-compliance with the installation instructions
- Completely or partially dismantled appliances

## Conformity:

The radiant heater has been tested and itself and/or parts of it have been manufactured in accordance with the following (safety) standards:

### GS" tested by Dekra, and of course with CE (LVD + EMC) conformity.

Tested safety according to: EN 60335-1:2012+A11:2014+A13:2017+A1:2019+A14:2019+A2:  
2019 +A15:2021  
EN 60335-2-30:2009+A11:2012+A1:2020+A12:2020  
EN 62233:2008  
AfPS GS 2019:01 PAH

CE (LVD) conformity tested according to: EN 60335-1:2012+A11:2014+A13:2017+A1:2019+A14:2019+A2:  
2019 +A15 :2021  
EN 60335-2-30:2009+A11:2012+A1:2020+A12:2020  
EN 62233:2008

CE (EMC) conformity tested according to: EN IEC 55014-1:2021  
EN IEC 55014-2:2021  
EN IEC 61000-3-2:2019+A1:2021  
EN 61000-3-3:2013+A1:2019+A2:2021

### Correct disposal of this product:



Within the EU, this symbol indicates that this product must not be disposed of with household waste. Old appliances contain valuable recyclable materials that should be recycled. In addition, the environment and human health should not be polluted by uncontrolled waste disposal. Therefore, please dispose of old appliances via suitable collection systems or send the appliance to the place where you purchased it for disposal. They will then recycle the appliance.



We hope you enjoy using this device

***Your Aktobis AG***

***Keep these instructions for use in a safe place !***